

WATER TANK 3,090 litres

The 3090ltr water tank is made from food-grade UV-stabilised rotationally-moulded polyethylene, and is available in a variety of architectural colours.

The convenient size makes the tank suitable to take advantage of up to A\$500 government rebate*, and is ideal for large blocks and properties.

The polyethylene material provides a smooth wall, which is easy to clean.

In addition, each tank is tested by ultrasound to guarantee an even wall thickness of 7mm.

- UV stabilised polyethylene
- Tough brass outlet
- Option 2nd outlet
- Stainless steel leaf strainer
- 10 year warranty *
- Eligible for up to \$500 government rebate*
- Built in accordance with Australian Standard AS/NZS 4766
- Water the garden
- Wash your car
- Top up your pool
- Connect to toilet & laundry to reduce your water bill

About Green Systems

Greensystems was established as part of the Sealite Company to focus our renewable products. With 20 year experience in moulding water products, we're bringing our products to the retail market with the polyethene 3090lt Water Tank.

Green Systems is an Australian-owned company, headquartered in Somerville, Australia.

Contact our sales staff or call by our facility today.



Colours available:

Mist Green

Heritage Green

Heritage Red

Black

Smooth Cream

20 years experience in rotational moulding



**\$500 government rebate may be available if connected to your toilet and laundry, and installed by a licensed plumber. *Warranty as per regular terms and conditions. Price includes GST, but excludes delivery charges (if applicable)*

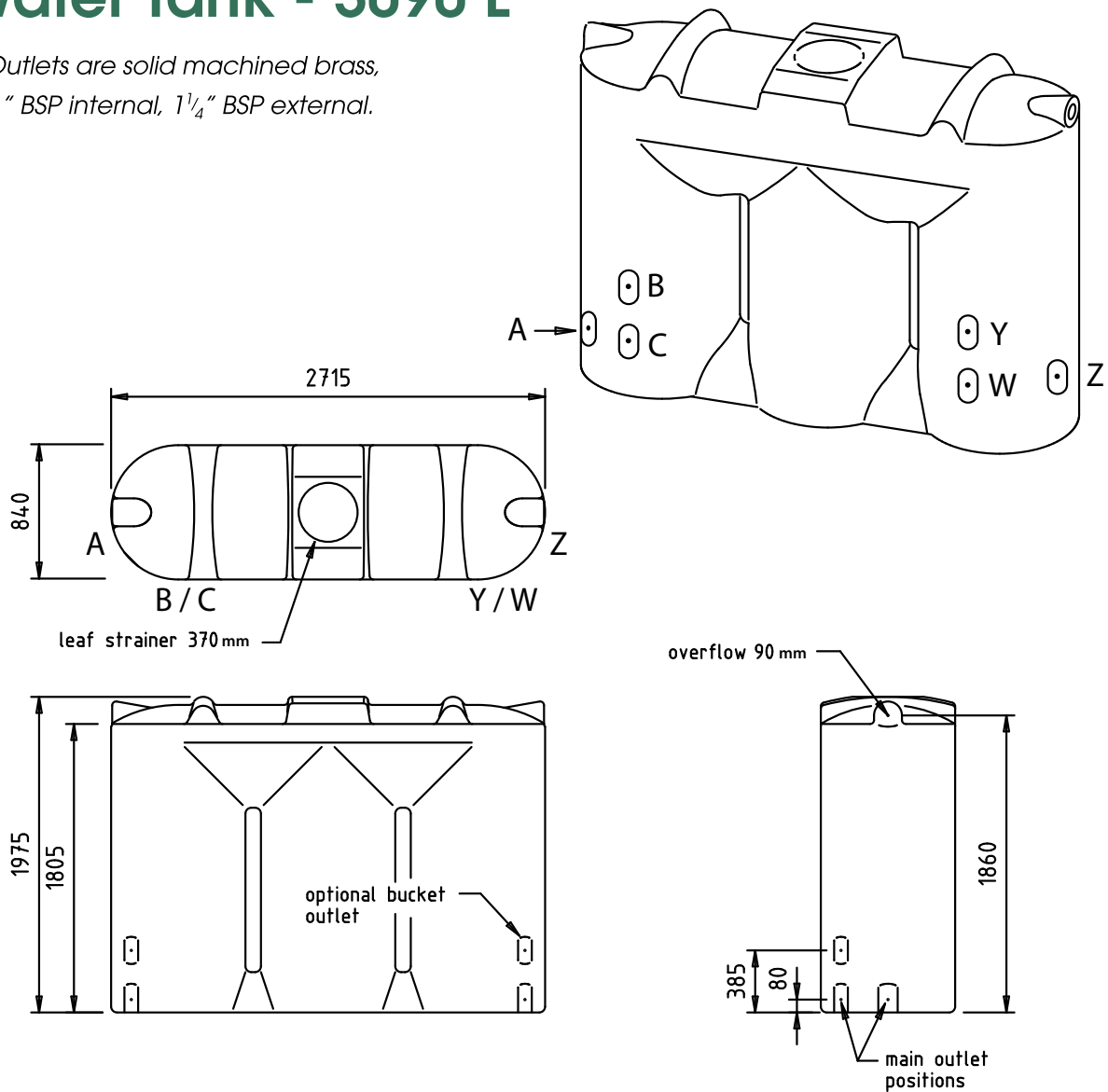
Made by:
Sealite Pty Ltd
11 Industrial Drive,
Somerville, Vic, 3912



Order today - call us on **(03) 5977 9489**

Water Tank - 3090 L

- Outlets are solid machined brass,
1" BSP internal, 1 1/4" BSP external.

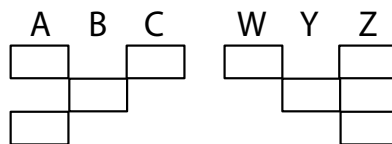


Dimensions may vary minimally due to manufacturing process

Customer to fill in:

Leaf Strainer central to the tank

Available Locations
Main Outlet
Bucket Outlet
Overflow



Please tick desired locations for outlet(s) and overflow.....

Mist Green
 Heritage Green
 Heritage Red
 Black
 Smooth Cream
 Other Specify



11 Industrial Drive, Somerville,
Victoria, 3912, Australia
Tel: 03 5977 9489 Fax: 03 5977 6124

Name _____

Contact (PH) _____

Delivery Address _____
